

NOTE

All numerical values are in metric units [with U.S. customary units in brackets]. Dimensions are in millimeters [and inches]. Unless otherwise specified, dimensions have a tolerance of ± 0.13 [.005] and angles have a tolerance of $\pm 2^\circ$. Figures and illustrations are for identification only and are not drawn to scale.

1. INTRODUCTION

This specification covers the requirements for application of AMP* AMPMODU 50/50 Grid SMT (Surface Mount Technology) printed circuit (pc) board connectors, and IDC (Insulation Displacement Contact) cable connectors. The connectors have contacts with in-row spacing on 1.27 [.050] centers and row-to-row spacing on 1.27 [.050] centers. They are available in 10-position increments from 10 through 100; the vertical SMT connectors are also available with 16 positions.

The SMT connectors are available as receptacles, and as vertical or right-angle pin header assemblies. They feature solderable hold-downs that help to stabilize the connector before and after soldering. There are unpolarized connectors with two large or two medium hold-downs, and there are polarized connectors containing a large hold-down at the end where the stack height marking is located and a small hold-down at the opposite end. All connectors can be placed on the pc board by hand.

The IDC connectors are available as receptacle assemblies. Each consists of a housing with insulation displacement contacts and two unassembled covers. These connectors are designed to terminate solid or 7-strand, 30 to 28 AWG ribbon cable with an insulation diameter range of 0.74 to 0.91 [.029 to .036]. They are terminated using manually operated tools.

When corresponding with AMP representatives, use the terminology provided in this specification to facilitate your inquiry for information. Basic terms and features of the connectors are provided in Figures 1 and 2.

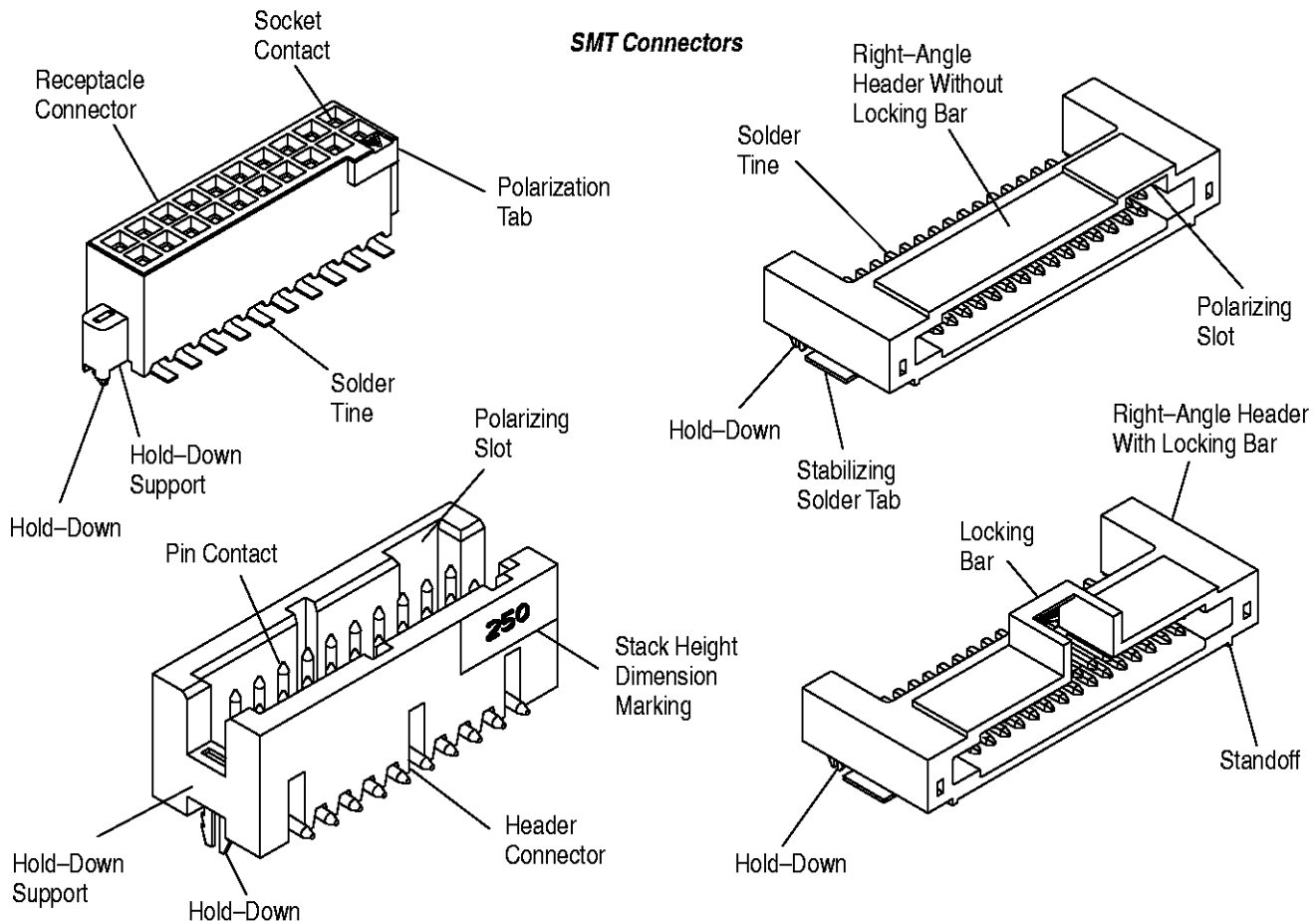


Figure 1

IDC Connectors

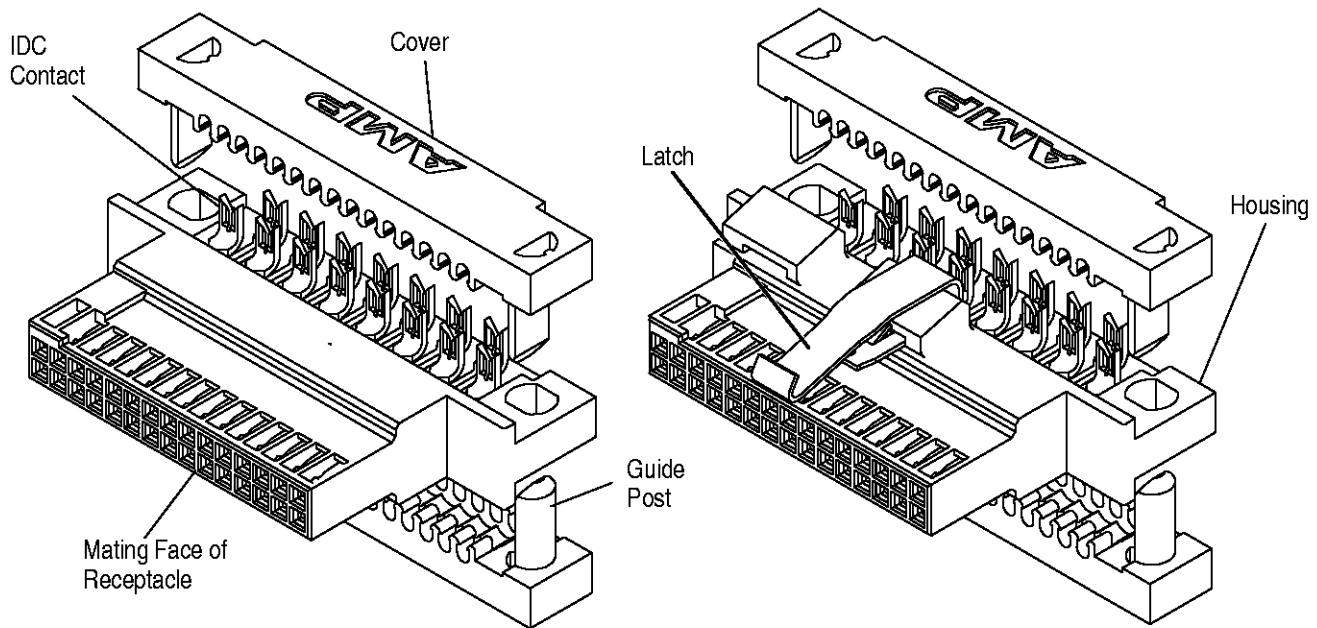


Figure 2

2. REFERENCE MATERIAL

2.1. Revision Summary

This paragraph is reserved for a revision summary of changes covering the most recent additions and changes made to this specification which include the following:

Per EC 0990-0343-99

- Updated format to corporate requirements
- Changed bulletin number to a manual number in Paragraph 2.4
- Removed obsolete documents in Paragraph 2.6
- Change dimensions in Figure 5 from 12.07 [.475] to 8.64 [.340] and from 11.18 [.440] to 7.75 [.305]
- Added new information in Paragraph 3.9.G and new Figure 13
- Removed obsolete tooling in Figure 19

2.2. Customer Assistance

Reference Part Number 104652 and Product Code 5375 are representative numbers of AMPMODU 50/50 Grid Connectors. Use of these numbers will identify the product line and expedite your inquiries through an AMP service network established to help you obtain product and tooling information. Such information can be obtained through a local AMP Representative (Sales Engineer, Applications Engineer, etc) or, after purchase, by calling the Tooling Assistance Center or AMP FAX/Product Information number at the bottom of page 1.

2.3. Drawings

AMP Customer Drawings for specific products are available from the service network. The information contained in Customer Drawings takes priority if there is a conflict with this specification or with any other technical documentation supplied by AMP Incorporated.

2.4. Manuals

AMP Manual 402-40 is available from the service network. This manual provides information on various flux types and characteristics along with the commercial designation and flux removal procedures. A checklist is included in the manual as a guide for information on soldering problems.

2.5. Specifications

A. AMP Product Specifications

AMP Product Specifications 108-1332 and 108-1443 cover test and performance requirements for the SMT and IDC connectors respectively.

B. AMP Test Specifications

AMP Test Specification 109-11 covers suggested test and evaluation methods.

C. AMP Workmanship Specification

AMP Workmanship Specification 101-21 provides requirements and evaluation of solder fillets for surface mounted connectors.

D. Commercial Specification

Commercial specification J-STD-001 provides solder joint requirements.

2.6. Instruction Material

The following AMP Instruction Sheets (408) are available for tooling application and repair information for IDC Connectors.

408-9817 – Applicator Frame Assembly

408-9909 – Cover Closing Tool

3. REQUIREMENTS

3.1. Material

The housings for all the connectors are made of glass-filled thermoplastic and the contacts of copper alloy, or phosphor bronze nickel underplated with gold plated contact mating ends. Surface-mount solder tines are tin-lead plated.

3.2. Storage

Connectors are packaged and shipped in antistatic tube containers. To prevent damage to the housings and contacts, the connectors should remain in the container until ready for installation. Also, to prevent possible storage contamination and insure maximum solderability for SMT solder tines, the connectors should be used on a first in, first out basis.

3.3. Circuit Identification

The number 1 molded on the mating face of the housing provides circuit identification, and the number in the rectangular block molded on the side of the vertical connector housing provides the stacking dimension (in thousandths of an inch) between pc boards when two connectors are fully mated. See Figure 1.

3.4. Printed Circuit Boards for SMT Connectors

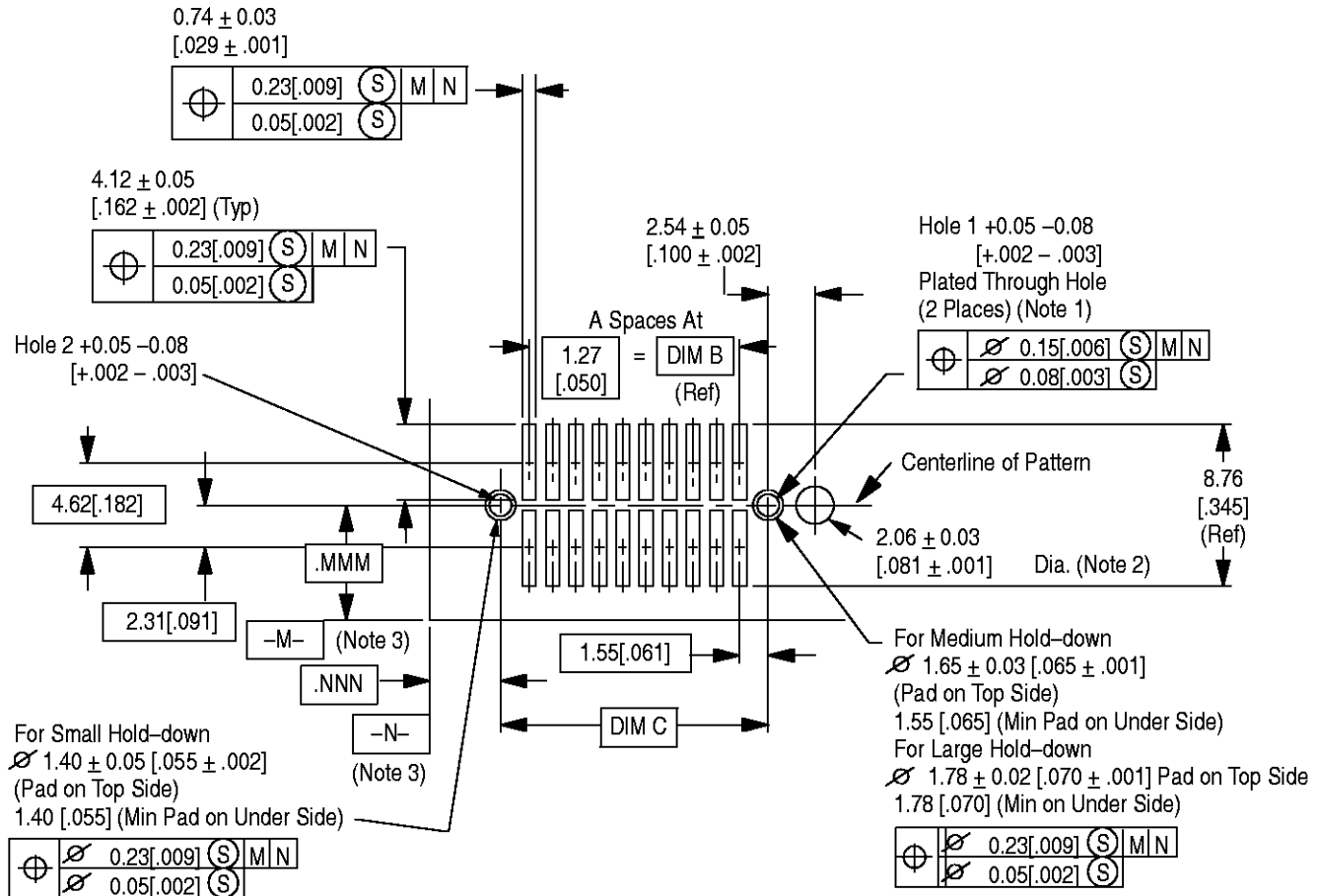
A. Tolerance

At the time of connector placement, the coplanarity of the pad pattern must be held to 0.05 [.002] maximum. We recommend a solder mask to minimize solder bridging between pads. The mask must not exceed the height of the pad by more than 0.05 [.002].

CAUTION

Since the connector housings may rest on top of the solder mask, an excessively high mask will allow too much space between the solder tine and pad for a good solder joint. A solder joint under these conditions would be weak, and would not provide long term performance for the connector.

Vertical Header PC Board Layout

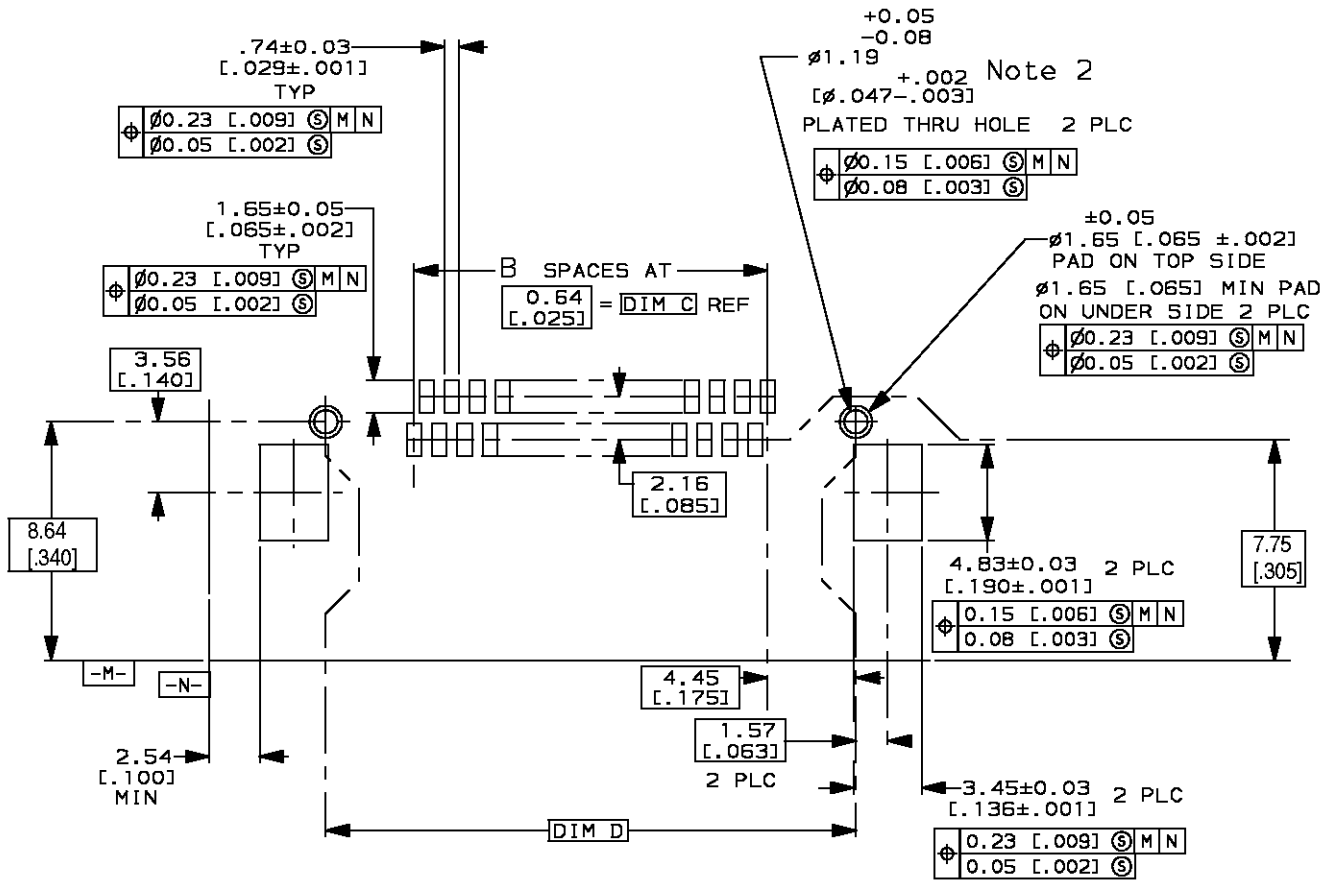


NUMBER OF POSITIONS	NUMBER OF SPACES (A)	DIMENSIONS		HOLD-DOWNS		
		B	C	LARGE	MEDIUM	SMALL
10	4	5.08 [0.200]	8.13 [0.320]	1.32 [.052] Holes 1 and 2 in Unpolarized Connectors with Large Hold-downs	1.19 [.047] Holes 1 and 2 in Unpolarized Connectors with Medium Hold-downs	0.94 [.037] Hole 2 only in Polarized Connectors (Other End has Large Hold-down)
16	7	8.89 [0.350]	11.94 [0.470]			
20	9	11.43 [0.450]	14.48 [0.570]			
30	14	17.78 [0.700]	20.83 [0.820]			
40	19	24.13 [0.950]	27.18 [1.070]			
50	24	30.48 [1.200]	33.53 [1.320]			
60	29	36.83 [1.450]	39.88 [1.570]			
70	34	43.18 [1.700]	46.23 [1.820]			
80	39	49.53 [1.950]	52.58 [2.070]			
90	44	55.88 [2.200]	58.93 [2.320]			
100	49	62.23 [2.450]	65.28 [2.570]			

- NOTES:**
- Hold-down hole. Finish to be tin/lead over 0.03 [.001] minimum copper.
 For large hold-down use 1.510 ± 0.030 [.0595 ± .0010] drilled hole (No. 53 drill bit).
 For medium hold-down use 1.320 ± 0.030 [.0520 ± .0010] drilled hole (No. 55 drill bit).
 For small hold-down use 1.070 ± 0.030 [.0810 ± .0010] drilled hole (No. 58 drill bit).
 - Optional polarization hole 2.060 ± 0.030 [.0810 ± .0010] drilled hole (No. 46 drill bit). This feature can be used to help ensure proper orientation of the connector on the board. It will require the use of a polarized hand loading tool (see Section 5).
 - Customer established datum.

Figure 4

Right-Angle Header PC Board Layout



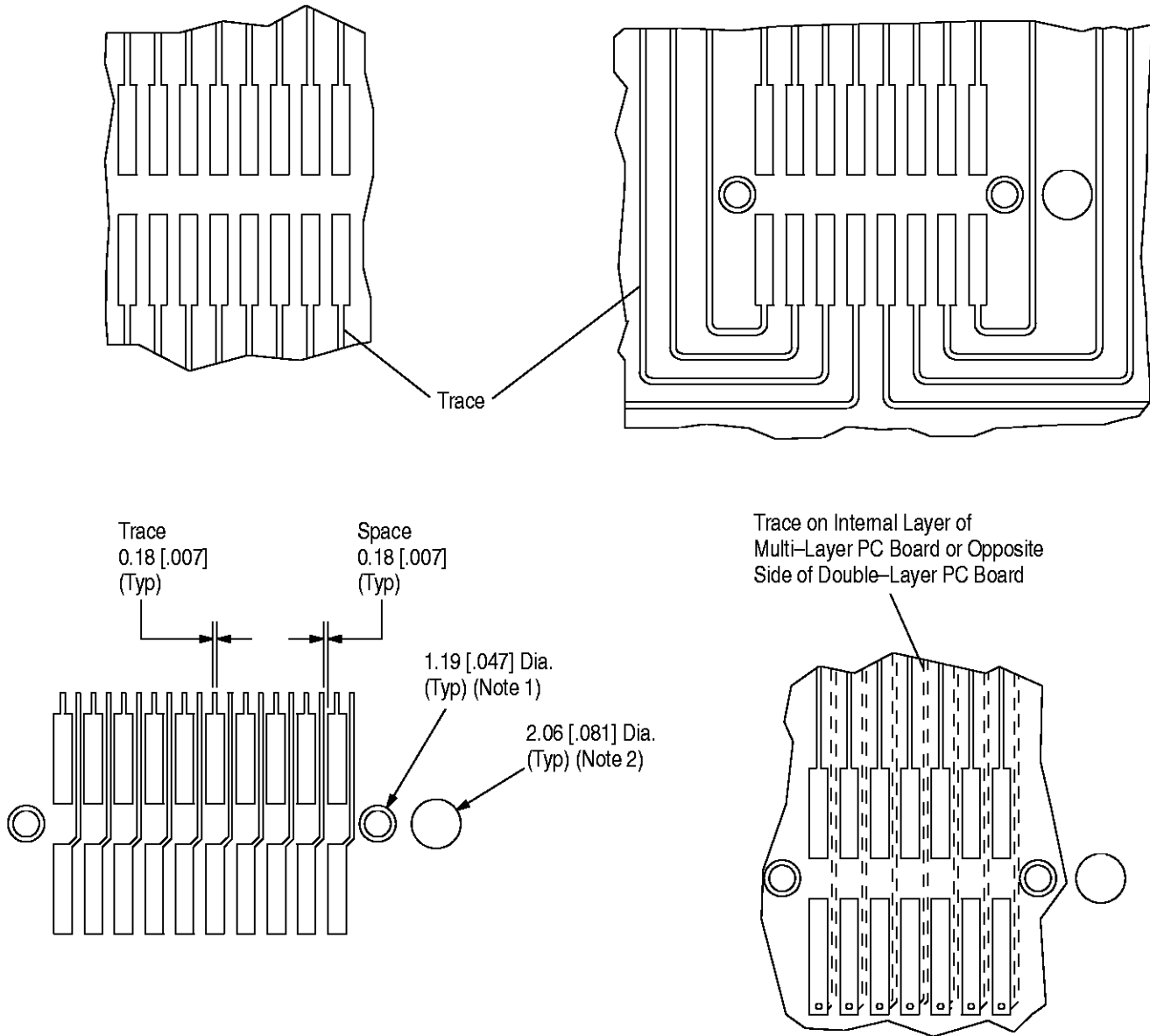
Recommended Board Layout

NUMBER OF POSITIONS	NUMBER OF SPACES (B)	DIMENSIONS	
		C	D
10	9	5.72 [0.225]	13.97 [0.550]
20	19	12.07 [0.475]	20.32 [0.800]
30	29	18.42 [0.725]	26.67 [1.050]
40	39	24.77 [0.975]	33.02 [1.300]
50	49	31.12 [1.225]	39.37 [1.550]
60	59	37.47 [1.475]	45.72 [1.800]
70	69	43.82 [1.725]	52.07 [2.050]
80	79	50.17 [1.975]	58.42 [2.300]
90	89	56.52 [2.225]	64.77 [2.550]
100	99	62.87 [2.475]	71.12 [2.800]

NOTES: 2. Hold-down hole. Use 1.32 ± 0.03 [0.052 \pm .001] drilled hole (No. 55 drill bit). Finish to be tin/lead over 0.03 [0.001] minimum copper.

Figure 5

Typical Wiring Arrangements



- NOTES:**
1. Plated through hole for solderable hold-down.
 2. Optional polarization hole for vertical connectors. This feature can be used to help ensure proper orientation of the connector on the board. It will require the use of a polarized hand loading tool (see Section 5).

Figure 6

3.5. Spacing

A. On PC Board Spacing

Connectors can be placed in close proximity to each other on the pc board. The dimensions provided do not include space needed for other pc board components. Check spacing requirements for other components before making your placement layout on the pc board. See Figure 7.

NOTE *The use of more than one vertical connector pair to interconnect two pc boards is not recommended due to tolerance build-up.*

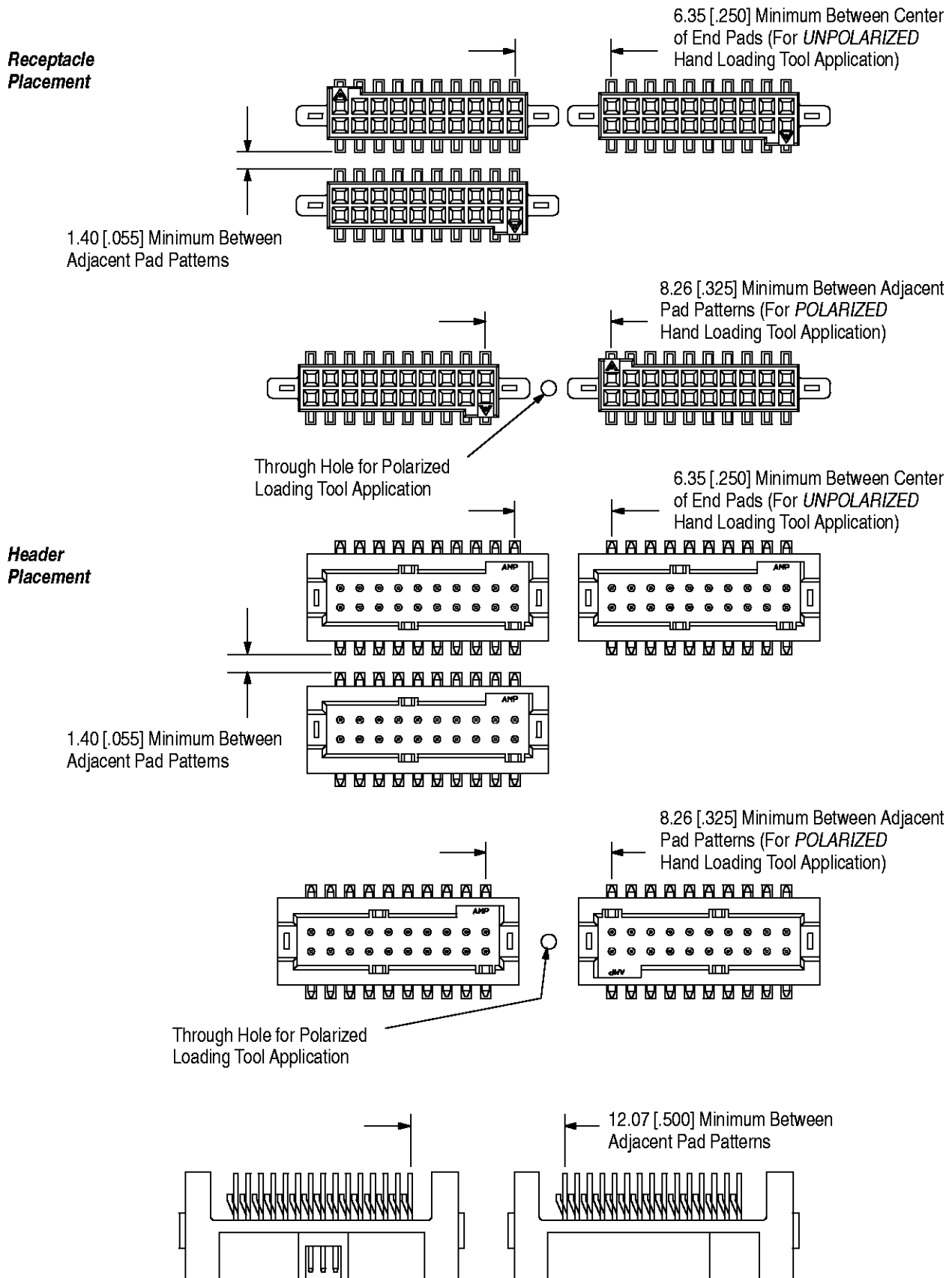
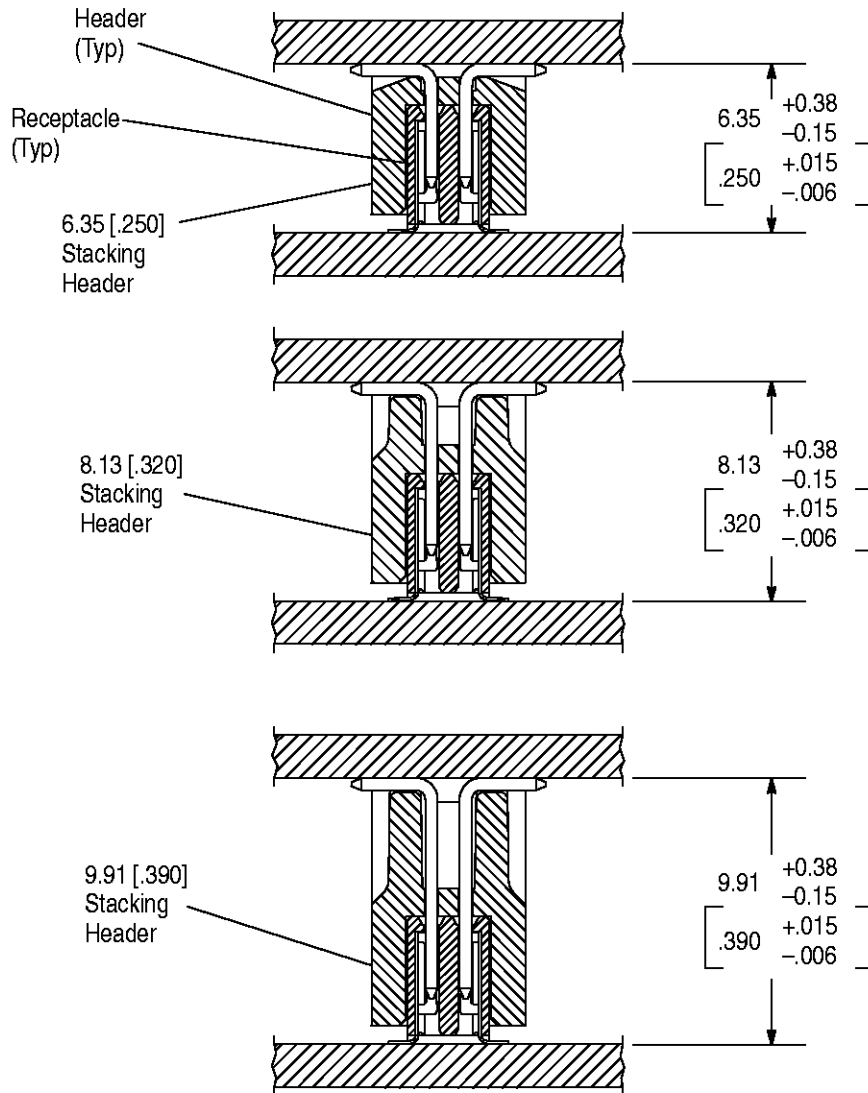


Figure 7

B. Between PC Board Spacing

Board-to-board stacking dimensions for the three vertical header configurations are provided in Figure 8.



NOTE: Connector housings must be bottomed on each other to ensure full contact engagement. When fully mated, dimension between boards will be within the range shown.

Figure 8

3.6. Polarization and Position Locator

The vertical headers have a polarizing slot and the vertical receptacles have a polarizing tab to ensure proper orientation of mating connectors. These features provide a reference location of the number one contact position. See Figure 1.

3.7. Stack Height Indicator

Each vertical header has a dimensional marking on the shroud of 250, 320, or 390 to indicate the nominal spacing in thousandths of an inch between parallel stacked pc boards. See Figure 1.

3.8. Mechanical Supports

A. Integral Hold-Downs

Hold-downs are an integral part of each connector. They go into plated through holes in the pc board to help stabilize the connectors prior to and during soldering, and they provide some strain relief after soldering. They are soldered into the plated through holes in the pc board during the soldering of the solder tines. The hold-downs are designed for 1.58 [.062] pc boards.

B. Packaging Hardware

The system should be designed with support for the pc boards to minimize stress on the solder tines of surface-mounted connectors.

CAUTION *The vertical header and receptacle inherently function as a standoff; however, they must not be used as the only standoff support between two pc boards.*

3.9. Processing

The pc board pads must be solderable in accordance with AMP Test Specification 109-11-1.

A. Typical Solder Paste Characteristics

1. Alloy type shall be either 63 Sn/37 Pb or 60 Sn/40 Pb.
2. Flux shall be RMA type.
3. Solids by weight shall be 85% minimum.
4. Mesh designation -200 to +325 (74 to 44 square micron openings, respectively).
5. Minimum viscosity of screen print shall be 5 x 10% cp (centipoise).
6. Minimum viscosity of stencil print shall be 7.5 x 10% cp (centipoise).

B. Solder Volume

Solder volume for each component shall be:

Receptacle	0.17 mm ³ [.0000106 in. ³] per contact
Vertical Header	0.71 mm ³ [.0000432 in. ³] per contact
Vertical Hold-down	1.34 mm ³ [.0000819 in. ³] per vertical header hold-down
Right-Angle Header	0.22 mm ³ [.0000134 in. ³] per contact
Right-Angle Hold-Down Barb	1.50 mm ³ [.0000914 in. ³] per right-angle header hold-down
Right-Angle Hold-Down Pad	2.41 mm ³ [.0001470 in. ³] per right-angle header hold-down

NOTE *Solder volume may vary depending on solder paste composition.*

C. Stencil

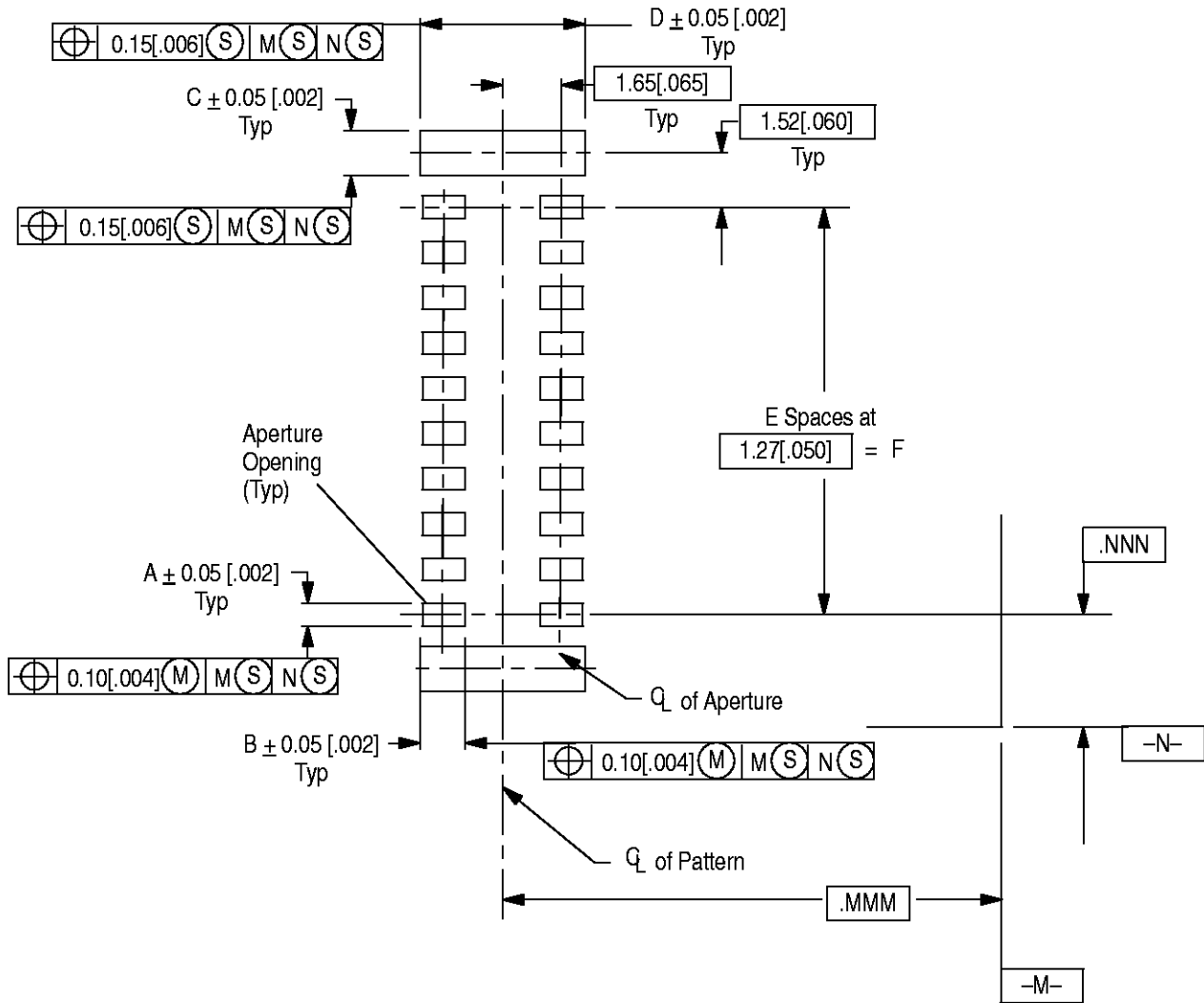
Stencil aperture will be determined by the thickness of the stencil being used. Generally, the thinner stencils will have a larger aperture to maintain a given volume of solder paste. Solder deposition should be within the pad area of the contact solder tines. Typical aperture openings are provided in Figures 9, 10, and 11.

CAUTION *All traces must be covered by solder mask in the solder deposit area. Exposed traces could cause bridging and create a short, or wick solder away from the solder tines, producing a weak solder joint.*

CAUTION *If a hold-down aperture is required other than that specified, the design must ensure that the connector housing will not sit on the solder deposit.*

NOTE *The recommended aperture width is 0.64 [.025] for the vertical receptacles and right-angle headers, and 0.69 [.027] for the vertical headers. It may be wider; however, care must be given to ensure against solder bridging during processing.*

Vertical Receptacle Stencil

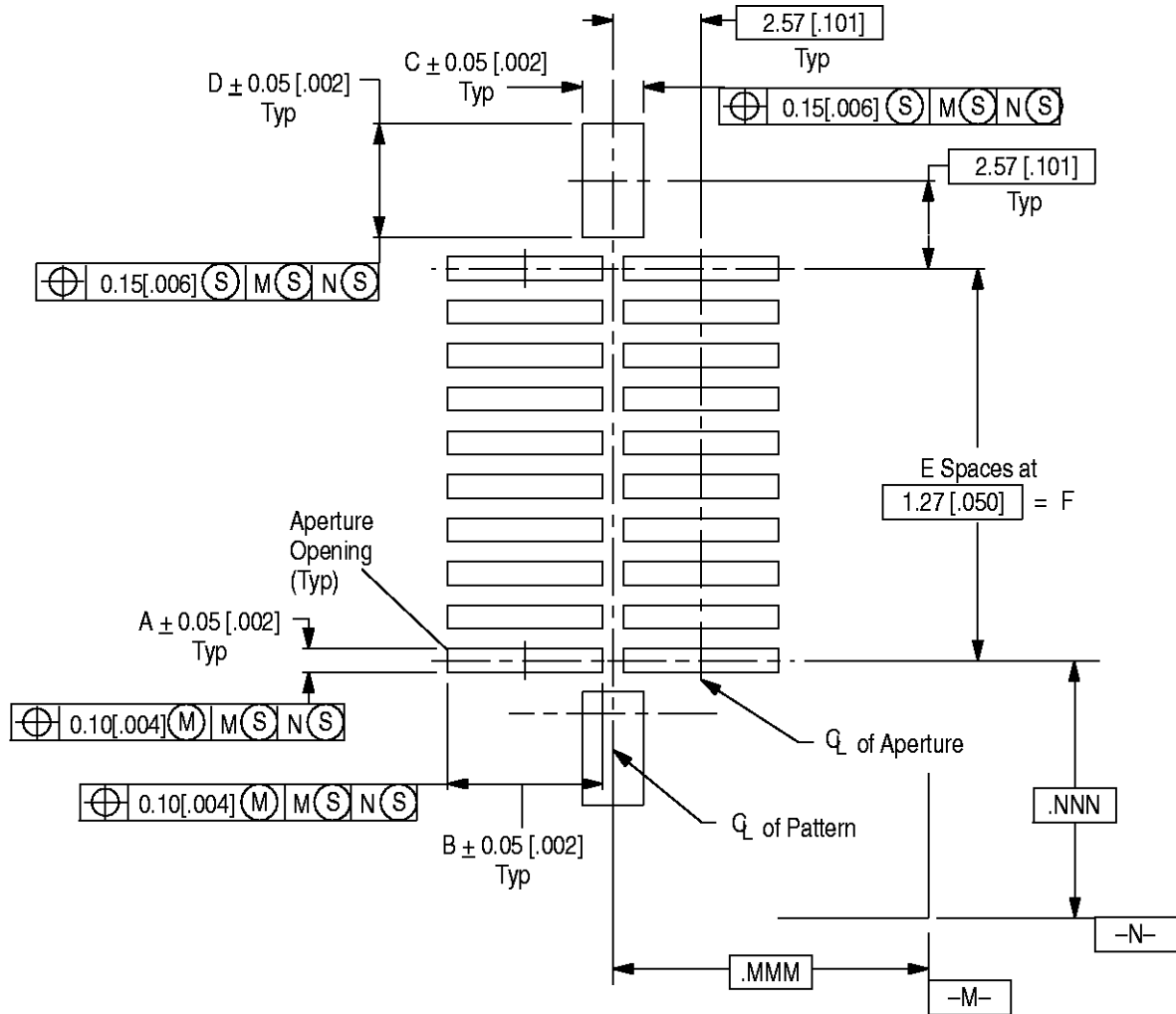


NOMINAL PAD SIZE	STENCIL THICKNESS	PAD APERTURE DIMENSION		HOLD-DOWN APERTURE DIMENSION	
		A	B	C	D
0.74 X 2.79 [.029 X .110]	0.20 [.008]	0.74 [.029]	4.72 [.186]	2.01 [.079]	3.30 [.130]
	0.23 [.009]	0.69 [.027]	4.52 [.178]	1.78 [.070]	3.30 [.130]
	0.25 [.010]	0.69 [.027]	4.06 [.160]	2.01 [.079]	3.30 [.130]

NO. OF POSN (10 - 50)	E	F	NO. OF POSN 60 - 100	E	F
	(Spaces)	(Center to Center)		(Spaces)	(Center to Center)
10	4	5.08 [0.200]	60	29	36.83 [1.450]
16	7	8.89 [0.350]	70	34	43.18 [1.700]
20	9	11.43 [0.450]	60	39	49.53 [1.950]
30	14	17.78 [0.700]	90	44	55.88 [2.200]
40	19	24.13 [0.950]	100	49	62.23 [2.450]
50	24	30.48 [1.200]	—	—	—

Figure 9

Vertical Header Stencil

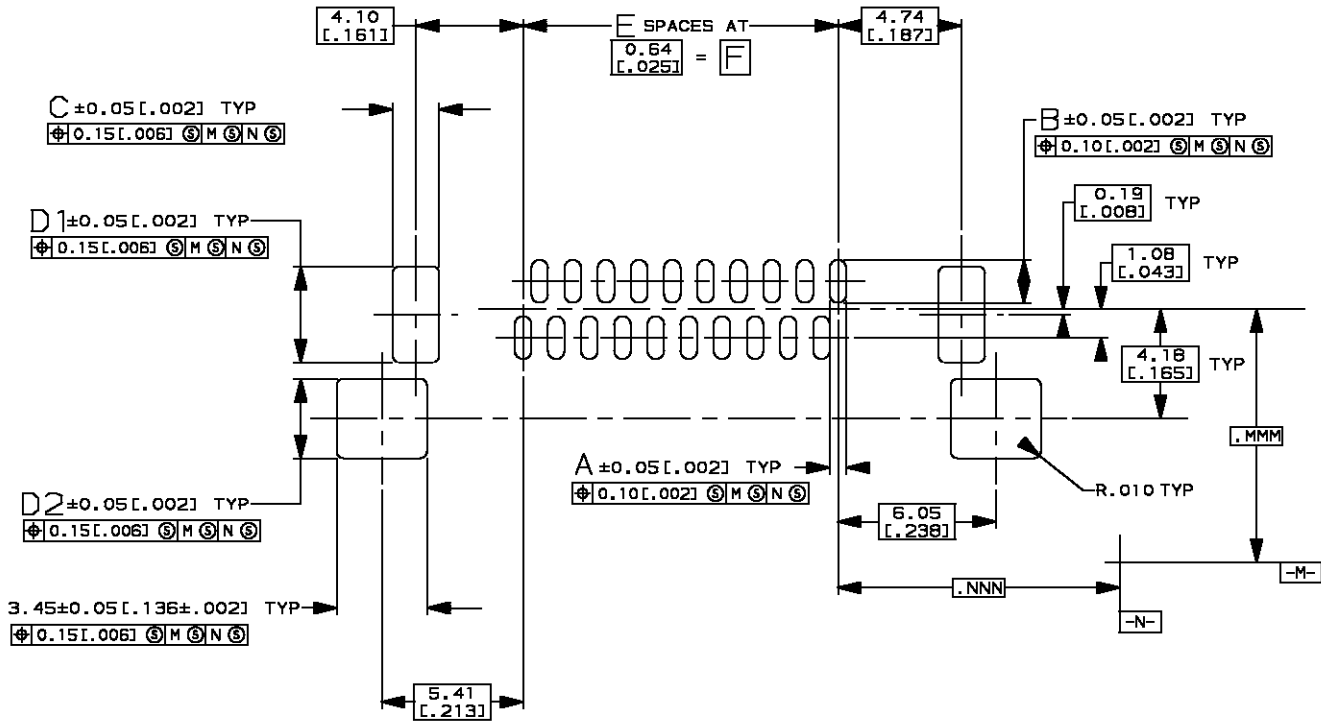


NOMINAL PAD SIZE	STENCIL THICKNESS	PAD APERTURE DIMENSION		HOLD-DOWN APERTURE DIMENSION	
		A	B	C	D
0.74 X 2.79 [.029 X .110]	0.20 [.008]	0.64 [.025]	1.35 [.053]	1.40 [.055]	4.72 [.186]
	0.23 [.009]	0.64 [.025]	1.19 [.047]	1.27 [.050]	4.62 [.182]
	0.25 [.010]	0.64 [.025]	1.09 [.043]	1.27 [.050]	4.17 [.164]

NO. OF POSN (10 - 50)	E	F	NO. OF POSN 60 - 100	E	F
	(Spaces)	(Center to Center)		(Spaces)	(Center to Center)
10	4	5.08 [0.200]	60	29	36.83 [1.450]
16	7	8.89 [0.350]	70	34	43.18 [1.700]
20	9	11.43 [0.450]	60	39	49.53 [1.950]
30	14	17.78 [0.700]	90	44	55.88 [2.200]
40	19	24.13 [0.950]	100	49	62.23 [2.450]
50	24	30.48 [1.200]	—	—	—

Figure 10

Right-Angle Header Assembly Stencil



NOMINAL PAD SIZE	STENCIL THICKNESS	PAD APERTURE DIMENSION		HOLD-DOWN APERTURE DIMENSION		
		A	B	C	D1	D2
0.74 X 2.79 [.029 X .110]	0.20 [.008]	0.64 [.025]	1.83 [.072]	1.78 [.070]	4.14 [.163]	3.43 [.135]
	0.23 [.009]	0.64 [.025]	1.65 [.065]	1.78 [.070]	3.68 [.145]	3.05 [.120]
	0.25 [.010]	0.64 [.025]	1.50 [.059]	1.78 [.070]	3.33 [.131]	2.74 [.108]

NO. OF POSN (10 - 50)	E	F	NO. OF POSN 60 - 100	E	F
	(Spaces)	(Center-to-Center)		(Spaces)	(Center-to-Center)
10	9	5.76 [.225]	60	59	37.76 [1.475]
20	19	2.16 [.475]	70	69	44.16 [1.725]
30	29	18.56 [.725]	80	79	50.55 [1.975]
40	39	24.96 [.975]	90	89	56.96 [2.225]
50	49	31.36 [1.225]	100	99	63.36 [2.475]

Figure 11

D. Solder Screen

Generally, we do not recommend screen application of solder paste because of the limited volume of paste that can be deposited. If a screen application is required, we recommend removal of all screen from the solder tine and hold-down pad areas. Consult your supplier for compatibility of screen and paste, and for application techniques.

E. Solder Mask

Solder mask is recommended between all pads. If a trace is run between adjacent pads on the solder side of the pc board, a solder mask must be applied over the trace to prevent bridging and wicking of solder away from the contact solder tines. Additionally, there should be solder mask covering any traces in the area of the hold-down solder deposit. Liquid photo imageable or dry film solder masks are recommended.

F. Connector Placement

Connectors can be placed on the pc board by hand. When doing so, grip the connector at the ends of the housing without touching the contact to prevent contamination and deformation of the solder tines. Vertical connectors can be placed on the pc board with a hand loading tool. When using the tool, the connectors should be emptied from the shipping tube into a feeder device and picked up with the tool as described in the instructions packaged with the tool.

NOTE *Optimally, the connector solder tines should be aligned on the pc board pads. However, misregistration is permissible for certain performance classifications as specified in J-STD-001. See Figure 12.*

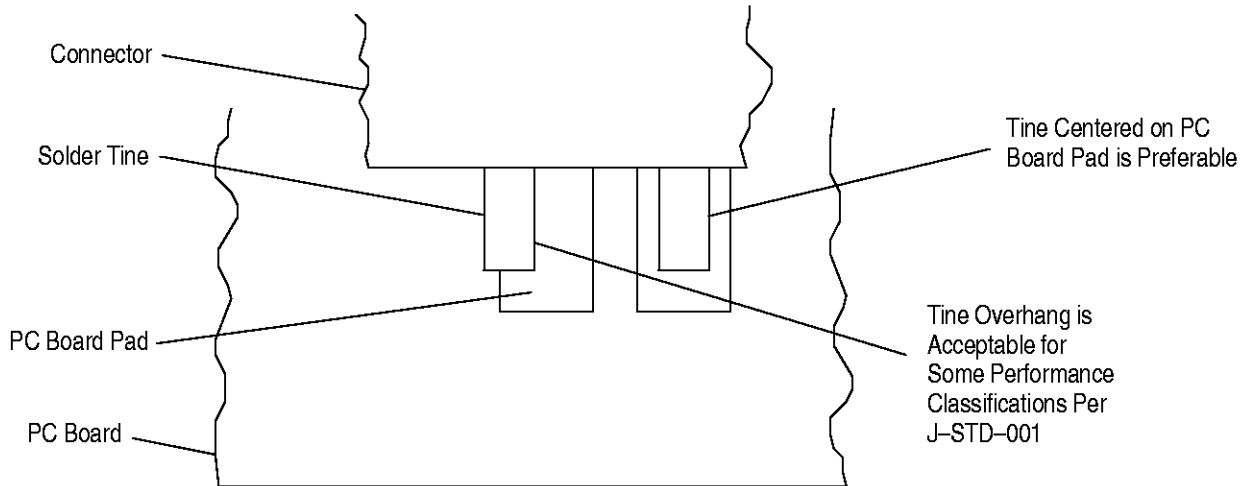


Figure 12

G. Solder

1. Parameters

The connectors will withstand temperatures of 260°C [500°F] for a maximum of three minutes. Higher temperatures can be withstood for short periods of time as indicated in Figure 13 for the infrared (IR) reflow. Refer to the recommendations provided in Figure 13 for typical reflow parameters. Due to the many variables involved with the reflow process (ie, component density, orientation, etc), we recommend that the user conduct trial runs under actual manufacturing conditions to ensure product and process compatibility.

Preheat 350°C [662°F]	ZONE 1	ZONE 2	ZONE 3
TOP HEATER	285° [545°]	265° [509°]	310° [590°]
BOTTOM HEATER	285° [545°]	265° [509°]	310° [590°]

Figure 13

2. Process

We recommend that connectors be soldered using vapor phase (VPR), double sided non-focused infrared (IR), or equivalent soldering technique. We have had success using Vitronics‡ IR (Model SMD 718) equipment.

‡ Manufactured by Vitronics Corporation, Newburyport, MA

H. Cleaning

Removal of fluxes, residues, and activators is necessary. Consult with the supplier of the solder paste and flux for recommended cleaning solvents. The following is a listing of common cleaning solvents that will not affect the receptacle and header connectors. The connectors will be unaffected by any of these solvents for five minutes at 105°C [221°F]. See Figure 14.

CLEANER		TIME (Minutes)	TEMPERATURES (Maximum)	
NAME	TYPE		CELSIUS	FAHRENHEIT
Alpha 2110■	Aqueous	1	132	270
Bioact EC-7◆	Solvent	5	100	212
Butyl Carbitol●	Solvent	1	Room Ambient	
Isopropyl Alcohol	Solvent	5	100	212
Kester 5778⚡	Aqueous	5	100	212
Kester 5779⚡	Aqueous	5	100	212
Loncoterge 520●	Aqueous	5	100	212
Loncoterge 530●	Aqueous	5	100	212
Terpene Solvent	Solvent	5	100	212

■ Product of Fry's Metals, Inc. ◆ Product of Petroferm, Inc. ● Product of Union Carbide Corp. ⚡ Product of Litton Systems, Inc.

Figure 14

DANGER Consideration must be given to toxicity and other safety requirements recommended by the solvent manufacturer. Trichloroethylene and Methylene Chloride can be used with no harmful affect to the connectors; however, AMP does not recommend them because of the harmful occupational and environmental affects. Both are carcinogenic (cancer-causing) and Trichloroethylene is harmful to the earth's ozone layer.

NOTE If you have a particular solvent that is not listed, contact AMP Engineering by calling the Tooling Assistance Center toll-free number on page 1.

I. Checking Installed Connector

All solder joints should conform to those specified in AMP Workmanship Specification 101-21. The housing must seat on the pc board to within the tolerance provided in Figure 15.

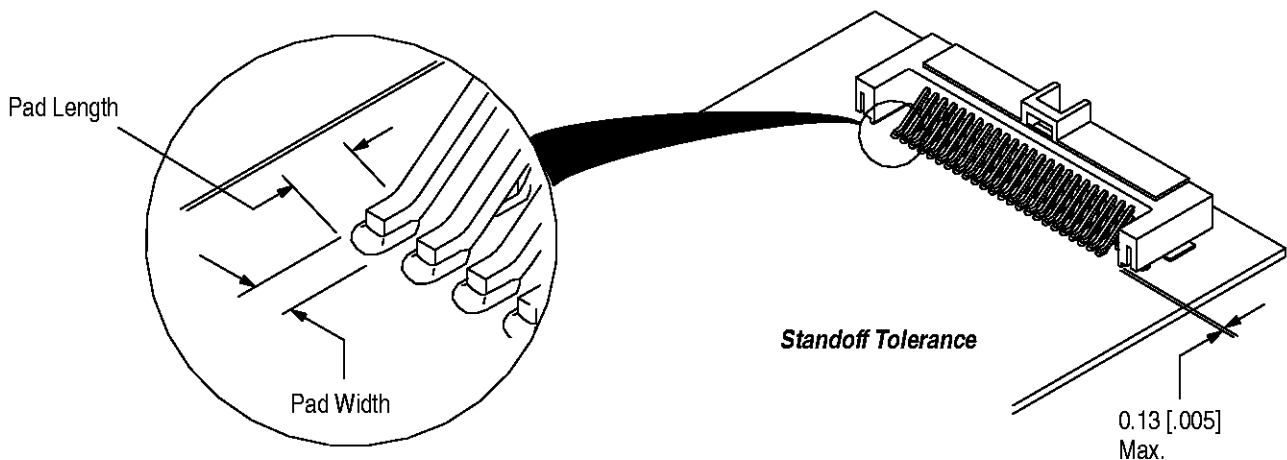


Figure 15

3.10. IDC Ribbon Cable Preparation

The only preparation for the cable is to be sure it is cut squarely. We recommend the use a guillotine-type cutter with a cable guide at a right-angle to the cutting blade. See Figure 16.

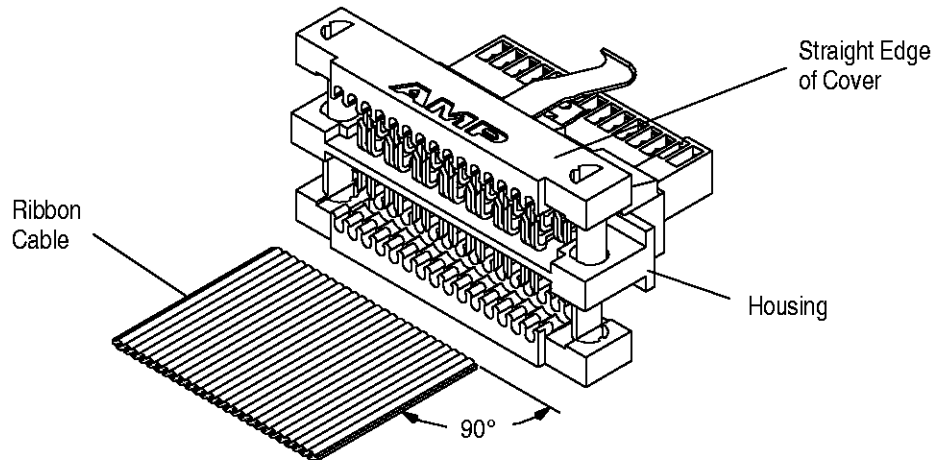


Figure 16

3.11. IDC Cover Placement

The covers are symmetrical and must be started into the housing before positioning the cable for termination. The straight edge of the cover must be toward the housing. See Figure 16.

NOTE

Refer to Section 5 for the tooling recommended to terminate the connectors.

3.12. Inspection of Terminated IDC Connectors

External and internal inspections can be made on terminated connectors. All terminated connectors can be inspected externally. Internal inspections should be made during setup and periodically to ensure that the connectors are being properly applied. Connectors used for internal inspection must be discarded after inspection.

A. External Inspection (Figure 17)

1. Check the terminated connector for electrical continuity.
2. Connector must be perpendicular to edge of cable within the tolerance provided.
3. The straight edge of both covers must be toward the housing.
4. The terminated cable end must be visible between the cover and housing.
5. Terminated covers must be seated within the dimension provided.

External Inspection

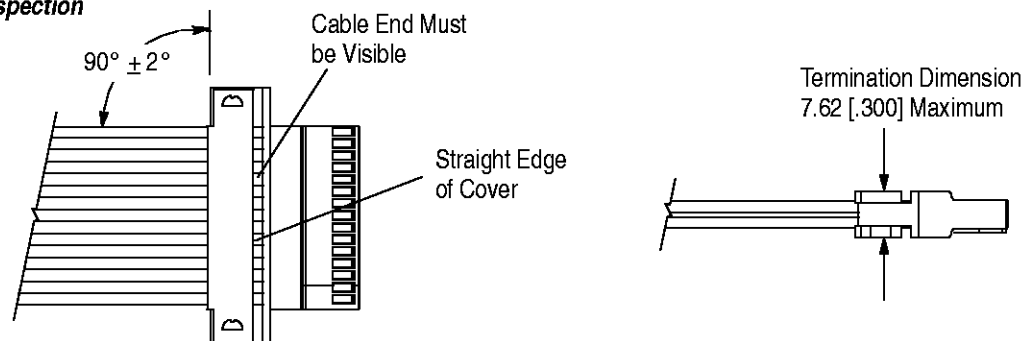


Figure 17

B. Internal Inspection (Figure 18)

1. Carefully remove both covers and check that each conductor is terminated.
2. Make sure that all contacts have penetrated the cable and that none are bent or deformed.
3. Make sure the conductors and contacts are placed in accordance with requirements provided.

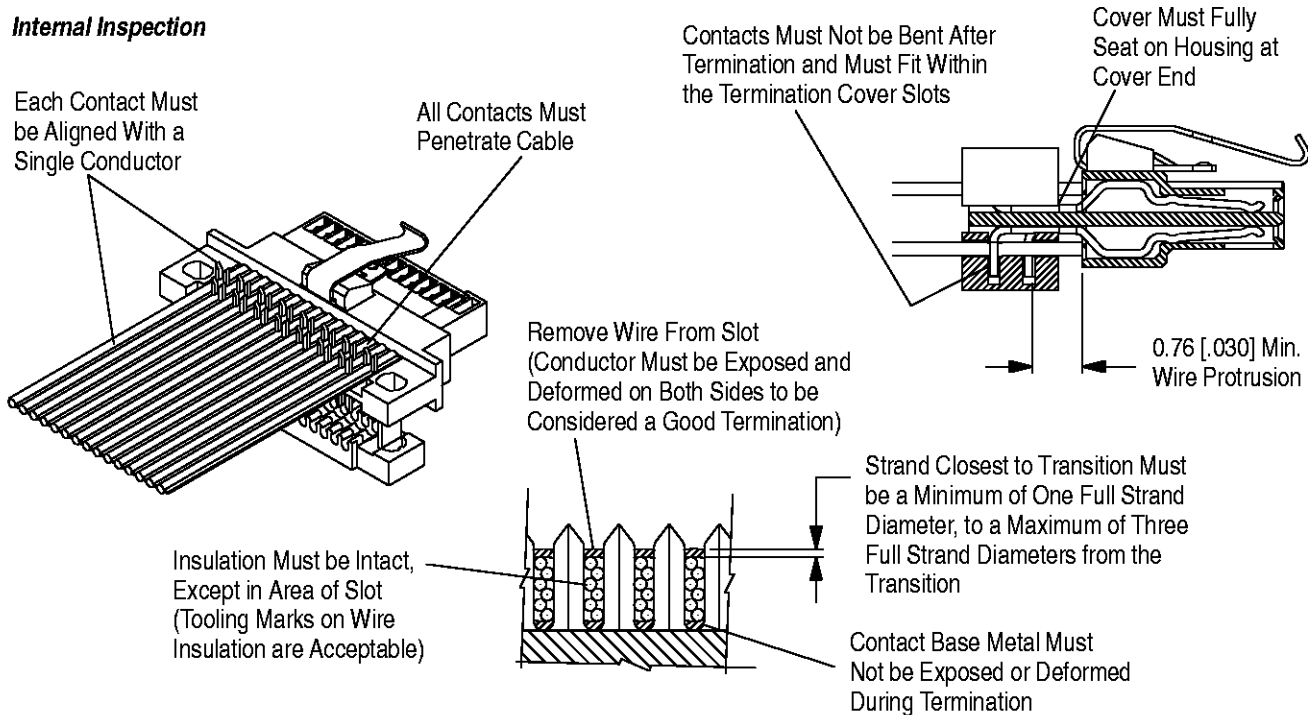
Internal Inspection

Figure 18

3.13. Mating and Unmating**CAUTION**

The use of uneven or off-angle forces during mating and unmating of the connectors could cause over-stress and damage to the contacts and/or housings. Do NOT use the "peel-back" method of unmating one end and pulling it until the other end is unmated. Also, do NOT use a severe side-to-side rocking motion to unmate connectors.

Connectors must be pushed straight in when mating and pulled straight out when unmating. A slight side-to-side motion may be used to start extraction, but it must not continue through full extraction cycle.

Miniaturization is a design feature of these connectors and the systems in which they are used. Component density, connector location, and pc board size may make it difficult to hold one connector in place while extracting the other. Two methods are recommended to facilitate removal. The preferred method is to have one of the pc boards securely fastened and adequately supported to withstand the pulling force applied to the other pc board. The second method is to construct a tool for your system design that will produce a straight-away separation of the connectors.

4. QUALIFICATIONS

The AMPMODU 50/50 Grid SMT and IDC Connectors are listed by the following agencies.

4.1. Underwriters Laboratories Inc. (UL)

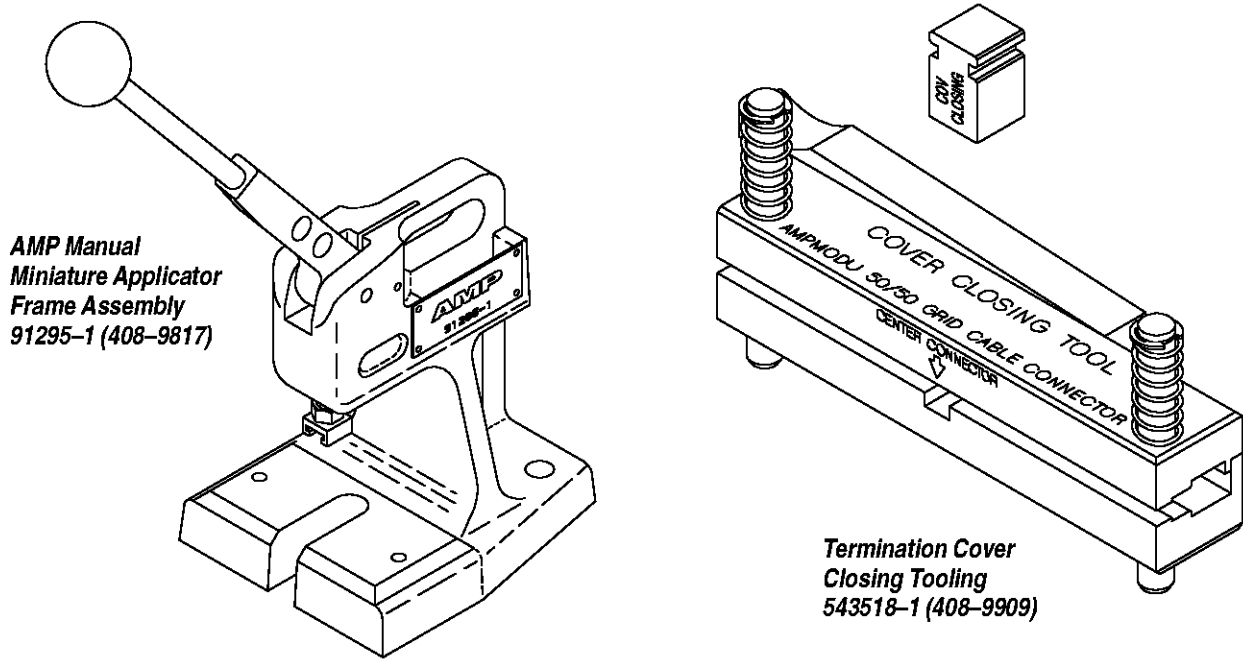
The connectors are listed under UL File Number E28476.

4.2. Canadian Standards Association (CSA)

The connectors are certified under File Number LR 7189-A00255.

5. TOOLING

A manual miniature arbor frame assembly and cover closing kit have been designed to terminate ribbon cable to IDC connectors. The tool and applicable instruction sheet are shown in Figure 19.



Tube Container Configurations

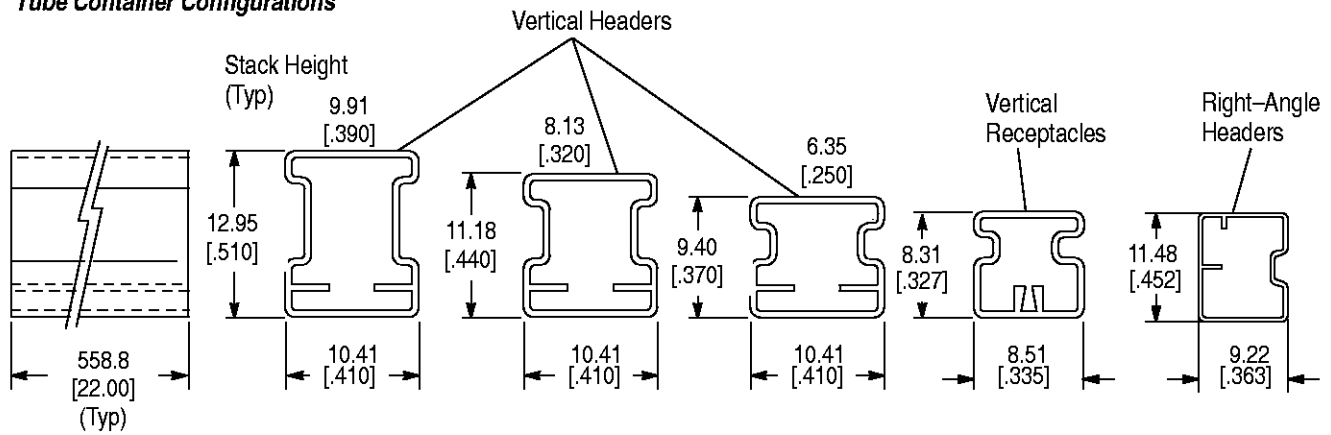


Figure 19

6. VISUAL AID

Figure 20 shows typical surface mount and insulation displacement connectors, and are intended for use by production personnel to visually ensure suitable applications. Installations which appear visually incorrect should be dimensional inspected using the information given in the preceding pages of this application specification.

6.1. Surface Mount Technology (SMT) Connectors

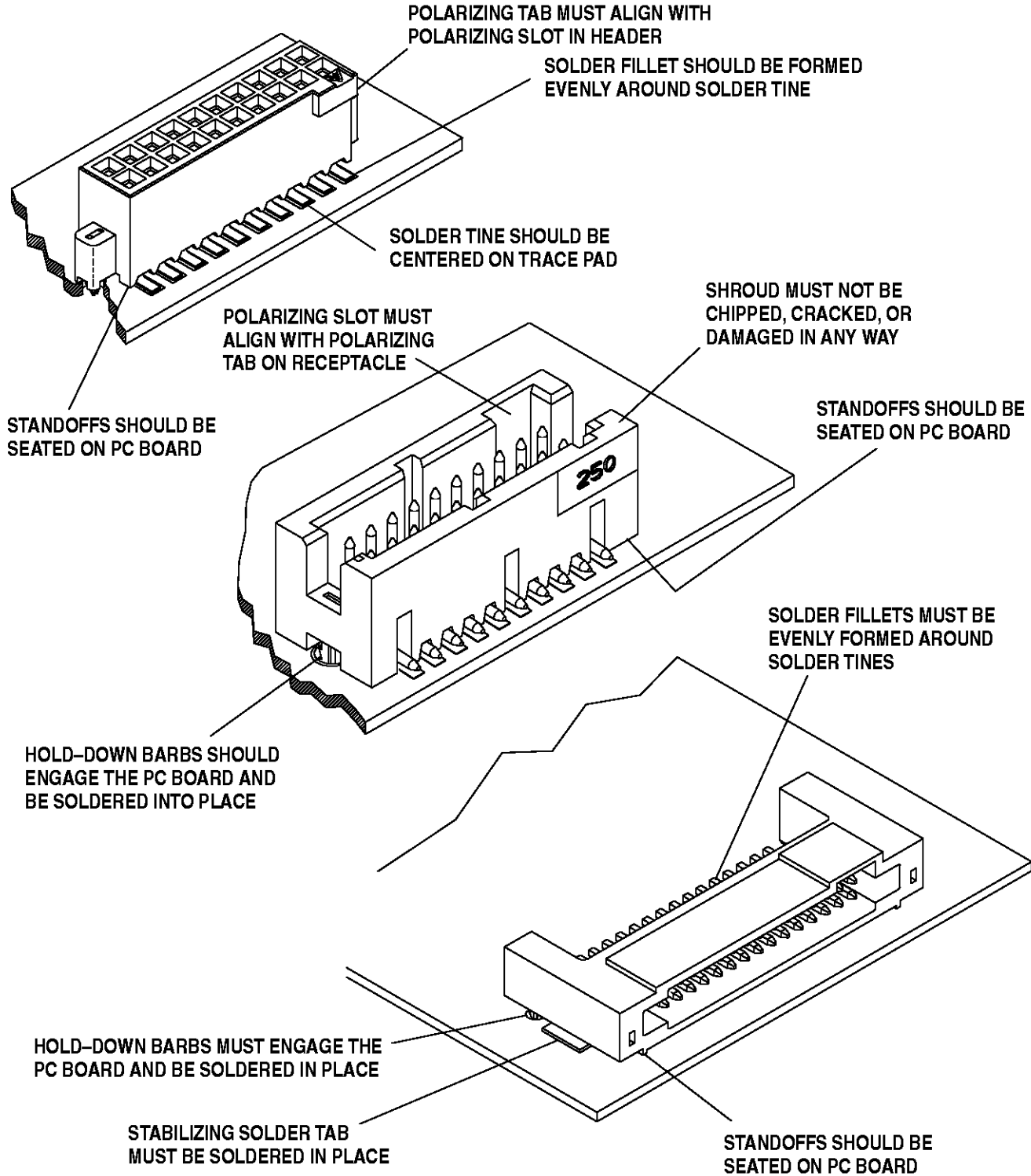
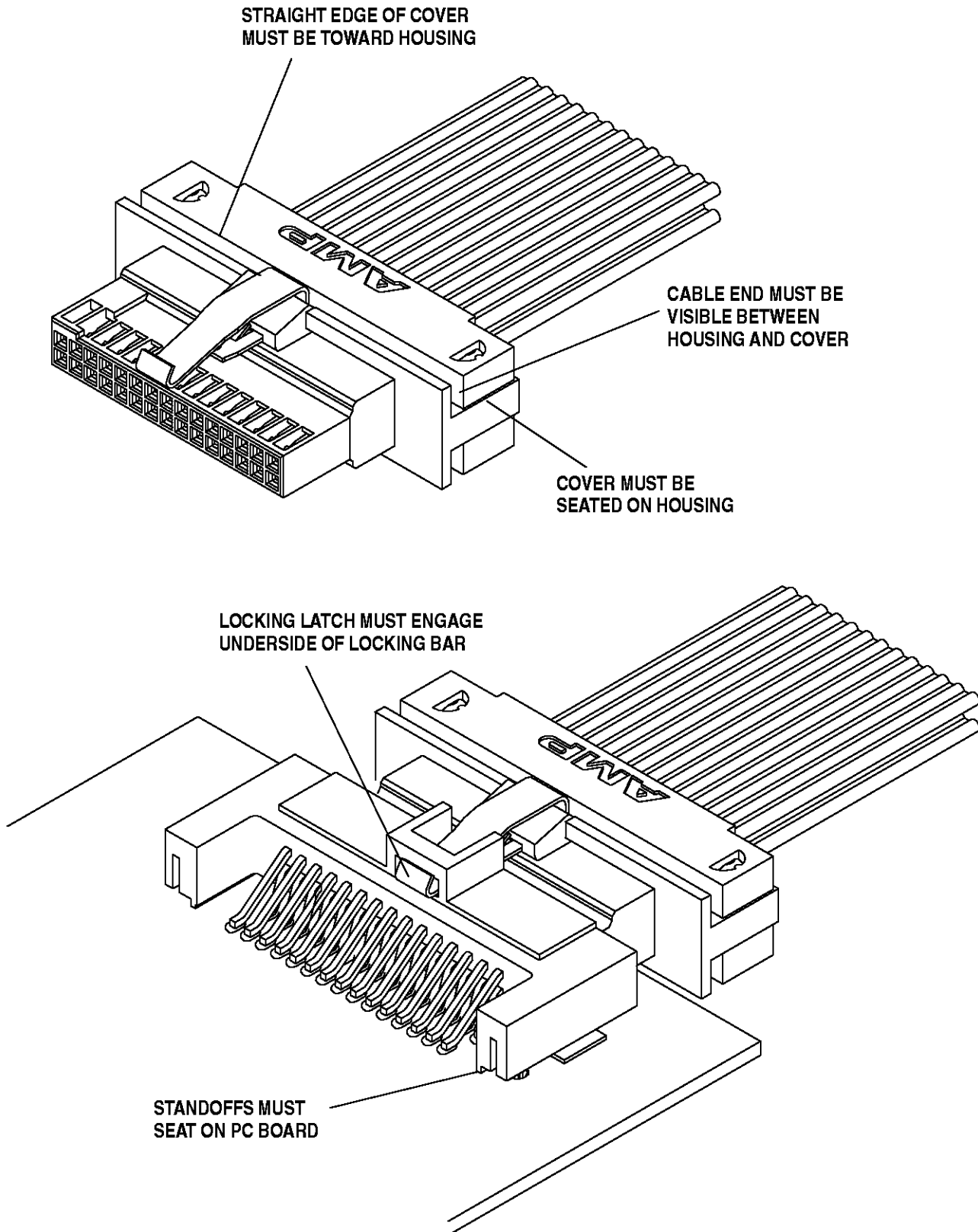


FIGURE 20. VISUAL AID (cont'd)

6.2. Insulation Displacement Connectors (IDC)**FIGURE 20. VISUAL AID (end)**